



Quality products. Built to last.

commercial series sectionizer

10 matching blade and plunger sets



Single



4-Wedge



6-Wedge



6-Wedge
Apple Corer



3-in-1



8-Wedge



8-wedge
Apple Corer





10-Wedge



6-Slice
(5/16")



Tomato 7-Slice
(1/4")

- ✓ Versatile, 10 different Interchangeable blade cups available
- ✓ Uniform pieces for appealing presentation
- ✓ Quick & easy cleanup – dishwasher safe
- ✓ Crafted in the USA  

Available from your
International Export Agent

SUNKIST

Tel: 800.383.7141

Fax: 909.822.2125

10730 Bell Court

Rancho Cucamonga, CA 91730

www.sunkistequipment.com

| MODEL | STYLE | | DESCRIPTION |
|-------|---------|--|-----------------------------------|
| S-101 | 4-Wedge | | 4 evenly spaced & cut wedges |
| S-102 | 6-Wedge | | 6 evenly spaced & cut wedges |
| S-103 | 6-Slice | | 6 slices (5/16" thick) |
| S-104 | 8-Wedge | | 8 evenly spaced & cut wedges |
| S-105 | 3-in-1 | | 2 halves scored in 3 wedges each |
| S-106 | Apple | | 6 wedges with center core removed |

| MODEL | STYLE | | DESCRIPTION |
|-------|----------|--|--|
| S-107 | Single | | Cuts fruit & vegetables in half |
| S-109 | Tomato | | 7 slices (1/4" thick) serrated |
| S-110 | 10-Wedge | | 10 evenly spaced & cut wedges |
| S-112 | Apple | | 8 wedges with center core removed |
| S-100 | Empty | | Sectionizer only. No blade cup/plunger |

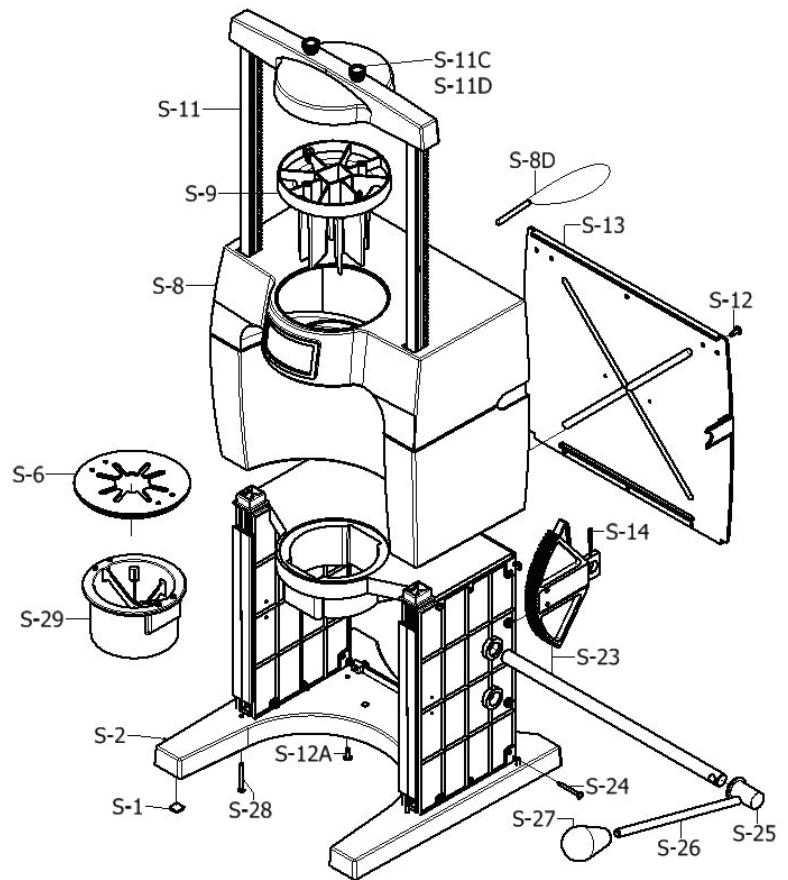
| PART | DESCRIPTION |
|-------|---|
| S-2 | Base Assembly |
| S-8 | Outer Shell |
| S-8D | Pin & Thread Assembly |
| S-11 | Crossbar Assembly |
| S-11C | Brass Knob |
| S-11D | Brass Stud |
| S-12 | Back Screw #8 x 1/2" (set of 8) |
| S-13 | Back Cover |
| S-14 | Spring Pin (set of 2) |
| S-23 | Gears & Shaft Set |
| S-24 | Base Side Screw 6/32 x 1 1/2" (set of 10) |
| S-25 | Plastic Shaft Cover |
| S-26 | Handle |
| S-27 | Knob |
| S-28 | Bottom Screw #8 x 1 1/2" (set of 4) |

| PART | BLADE CUPS |
|-------|---|
| S-3B | Blade Cup w/cover (6 wedge) (fits S-9) |
| S-4B | Blade Cup w/cover (6 slice) (fits S-10) |
| S-5B | Blade Cup w/cover (4 wedge) (fits S-9) |
| S-15 | Blade Cup w/cover (7 Slice Tomato) (fits S-16) |
| S-20B | Blade Cup w/cover (10 Wedge) (fits S-21) |
| S-29B | Blade Cup w/cover (8 Wedge) (fits S-9) |
| S-30B | Blade Cup w/cover (3-in-1) (fits S-9) |
| S-32B | Blade Cup w/cover (Apple Corer-6 Wedge) (fits S-33) |
| S-35 | Blade Cup w/cover (Single) (fits S-9) |
| S-37B | Blade Cup w/cover (Apple Corer-8 Wedge) (fits S-33) |

| PART | PLUNGERS |
|------|--|
| S-9 | Plunger Wedger (fits parts S-3, S-5, S-29, S-30, S-35) |
| S-10 | Plunger Slicer (fits S-4) |
| S-16 | Plunger (7 Slice Tomato) (fits S-15) |
| S-21 | Plunger (10 Wedge) (fits S-20) |
| S-33 | Plunger (Apple 6-Wedge & 8-Wedge) (fits S-32) |
| S-33 | Plunger (Apple 6-Wedge & 8-Wedge) (fits S-37B) |

| PART | COVERS |
|------|--|
| S-6 | Wedger Cup cover (sold w/S-3, S-5, S-29, S-30, S-32, S-35) |
| S-7 | Slicer Cup cover (sold w/S-4) |
| S-19 | Wedger Cup Cover (10 Wedge) (sold w/S-20) |

| PART | SETS AND ACCESSORIES |
|-------|--|
| S-17 | 7 Slice Tomato Set (S-15 & S-16) |
| S-22 | 10 Wedge Set (S-20 & S-21) |
| S-34 | Apple Corer-6 Wedge Set (S-32 & S-33) |
| S-38K | Apple Corer-8 Wedge Set (S-37B & S-33) |
| S-31 | Plastic Production Stand |



| SPECIFICATION | |
|-----------------------------|--|
| Listed by NSF International | |
| Shipping Weight | 15 pounds |
| Net Weight | 13 pounds |
| Overall Dimensions | 15 1/2" high, 15 1/4" wide, 13 1/8" deep |
| Cube | 2.32 |
| Carton Size | 17 1/2" high x 17 1/2" wide x 13 1/2" deep |